

SLIMWALL™

DESIGNER BOUNDARY FENCES

- Fast installation
- Easily customise to suit any home
- Amazing noise reduction
- Ideal for level & sloping sites

Your Home, Your Fence, Your Style



Can be finished to seamlessly match the look of any home

SlimWall is the premium, designer fencing alternative to standard colorbond or timber fencing. SlimWall enhances the value of any home, without the cost of brick walls.

SlimWall has amazing noise reduction qualities



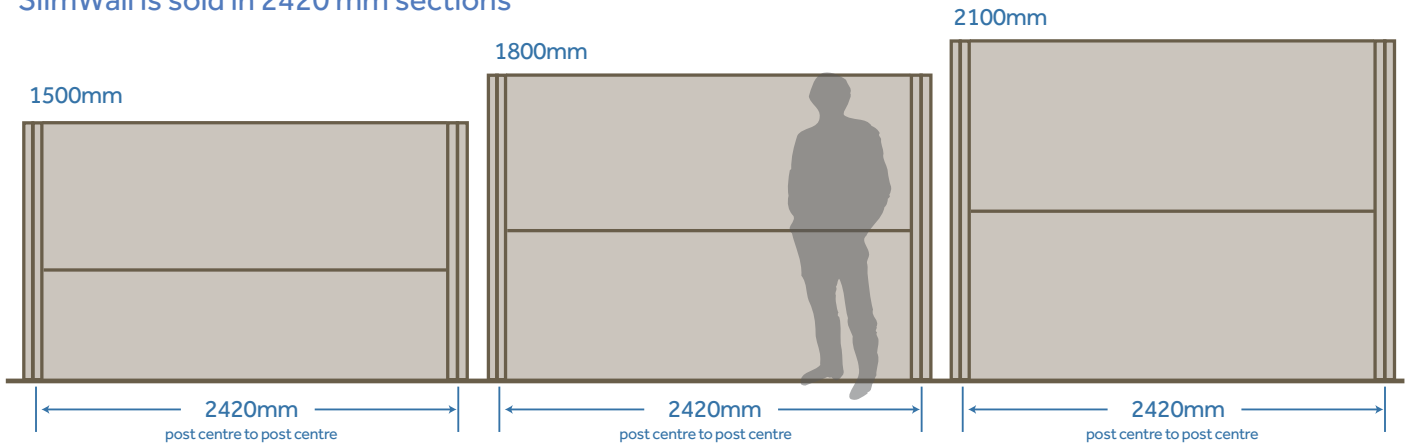
Easily customise SlimWall to compliment your home

SlimWall sets a new standard in garden fencing

- Designed as a stylish designer option for those who want more than colorbond or timber fencing
- Allows for use with high quality exterior acrylic paint to seamlessly match the existing style of any home. The use of textured paint will result in a rendered effect. If required, both sides of the SlimWall Designer Fence can be finished differently to suit the preferences of each neighbour
- Can be customised with decorative slats, gates or even lighting to truly complement the existing home design
- Precision engineered to provide high levels of sound reduction: up to a 20+dB or fourfold audible reduction in traffic or neighbourhood noise
- Designed for easy installation by anyone with basic handyman skills
- For use on level or sloping sites

SlimWall is available in these sizes

SlimWall is sold in 2420 mm sections



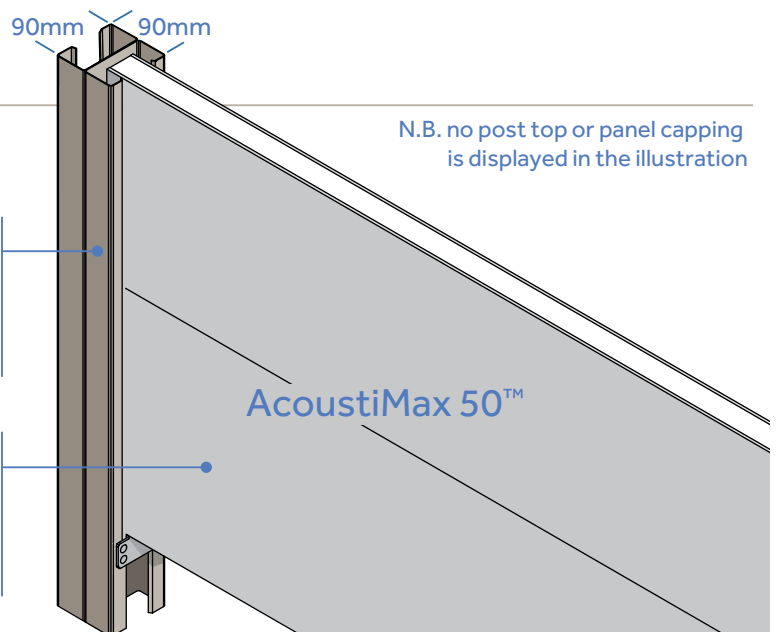
Custom heights are available between 900mm up to 2100mm, please call us for more information

Wall Construction (per section)

SlimWall accepts any high quality acrylic paint or texture finish

The Support Posts' longevity and strength is achieved through our patented design using high tensile, galvanised and dyna primed materials.

Our composite panel technology allows for a light weight yet incredibly strong and rigid panel. **The density of the panel will provide superb sound reduction qualities of approximately 20dB.**



Each standard section (based on 1800mm high fence) includes:

- 1 x Post - 2450mm long, 90x90mm wide (2 halves form one complete post)
- 2 x AcoustiMax 50™ Panels - 2400mm x 900mm (2 panels in a stack configuration form the full height)
- 1 x Internal panel joiner
- 1 x Post cap
- 2 x Support brackets
- 2 x Panel cappings
- All screws required for assembly

Extras

- Post infills - used for end posts, any steps in the fence or to accept slats or infills
- Gate support posts
- Solid panel gates to match

Ordering your SlimWall Designer Fencing system

In order to streamline your ordering process, you can prepare your order with the following information:

Determine how many sections you will need. Each section covers a distance of 2420mm (centre to centre), so simply work out the straight lengths of fencing required and divide it by 2420mm. Please tell us if you are turning any corners.

Planning on a gate? Let us know, so that we can supply a gate support post with your order.

Need help? If you would like us to assist in working out your components or you have any installation questions, email us your dimensions, including a simple plan of your site to info@slimwall.com.au for a prompt reply or call us during business hours.

For more information & your order call:

1300 556 957